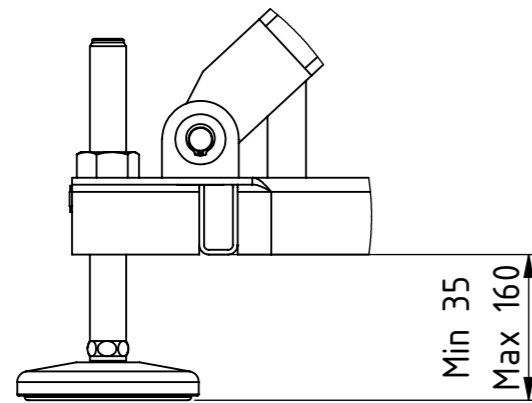
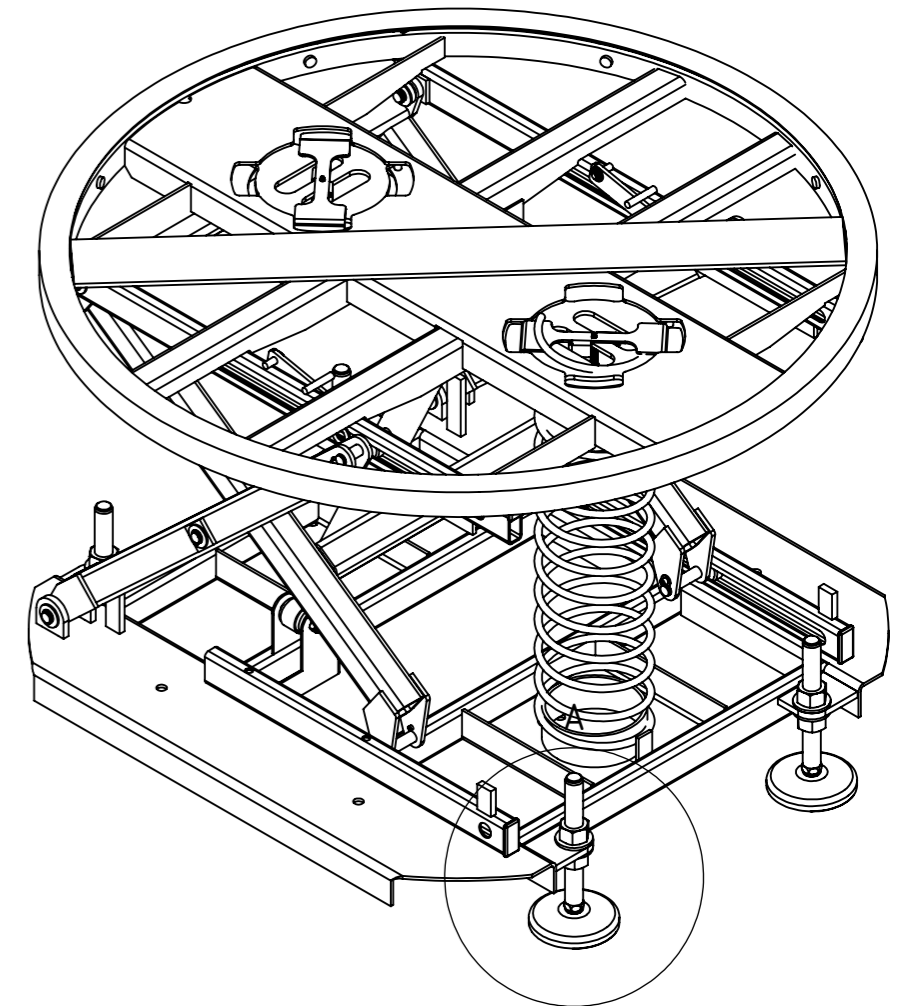
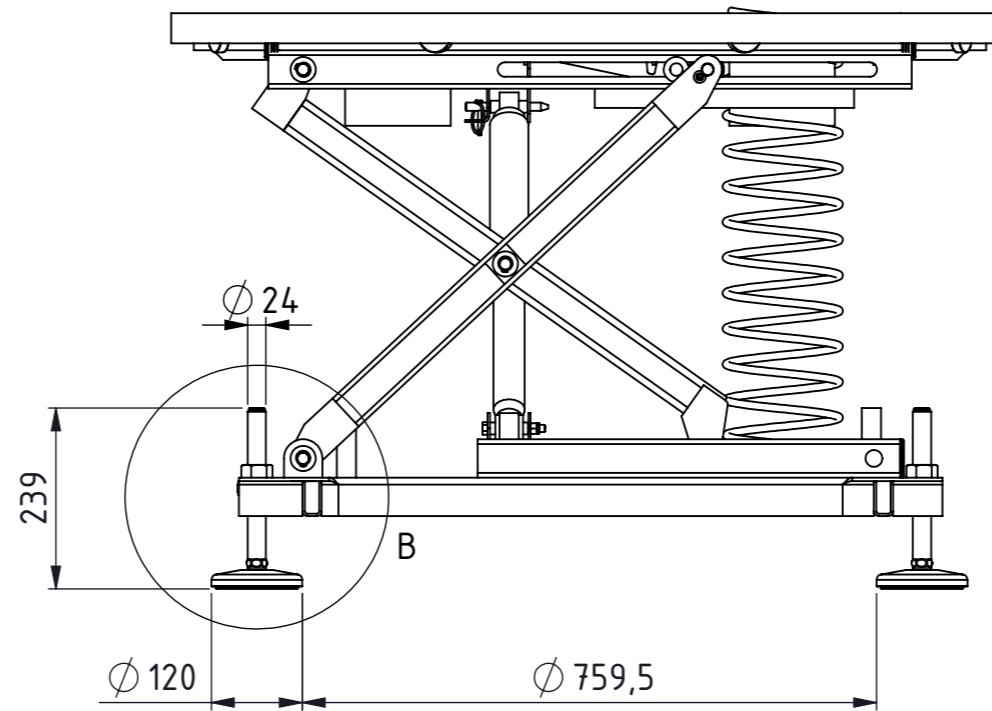
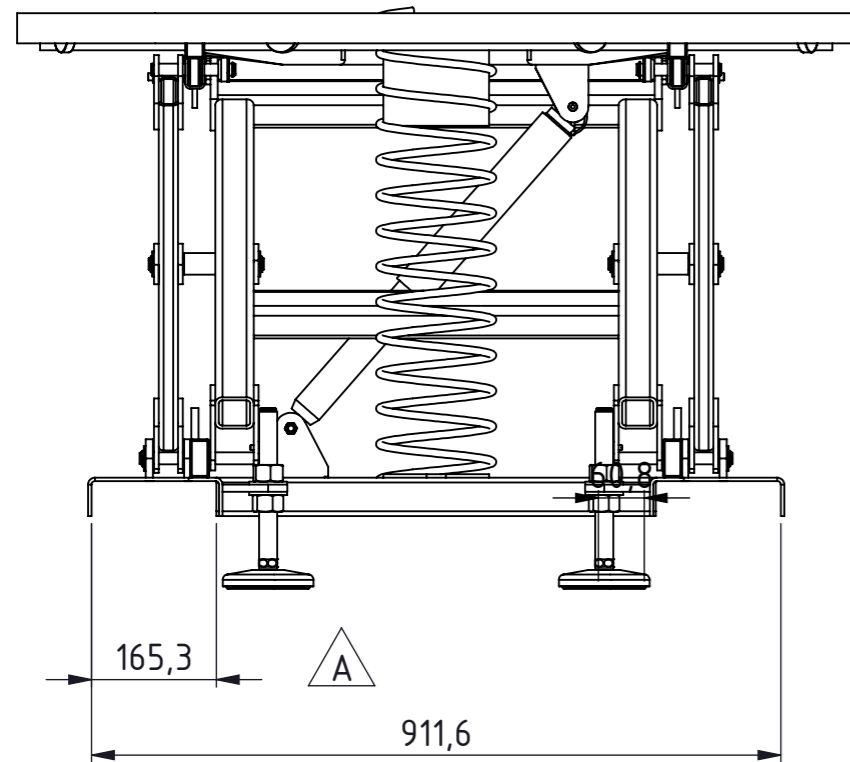
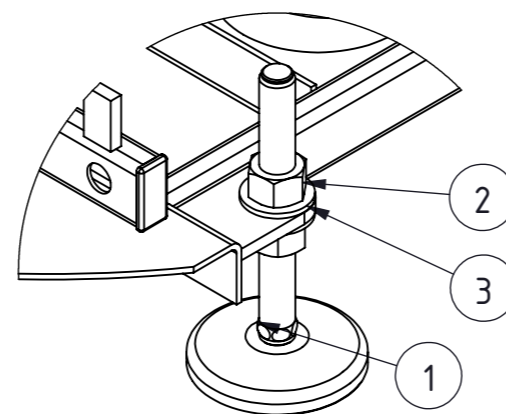


Rev	Note	Date	Designer
A	MEASUREMENTS ADDED	180531	ED



B 1 : 5



A 1 : 5

Item	Qty	Art No	Dwg No	Description	Material	Size/Dimension	Type	Kg/pcs	
3	8			SPACER		M24			
2	8			NUT		M24			
1	4	111684-2		THREADED FOOT				329.75	
						Date	2017-10-06	Total Weight (kg)	132.4
						Designer	LSI	Approved by	LSI
						Scale	1:10	Sheet	1 / 1
						Control Specification No.		Art. No.	1116843
						Drawing Type	Assembling	Status	Change
						Drawing No.	1116843	Revision	--02

No measuring allowed on this document.

This document is our property and must not be copied, used for manufacturing or communicated to any other person or company.