

ELEVAH[®] 80ES and 65ES MOVE

These aerial platforms are compact, sturdy as well as reliable, allow to make maintenance activities at height up to 7,56 m and 6,7 m.

EXTENSIBLE SELF PROPELLED PLATFORMS ELEVAH 80ES and 65ES MOVE



80ES M

65ES M



COLUMNS AND CAGE
ARE OF ALUMINIUM



NEW BASKET

Renewed basket to grant more comfort, stability and safety.



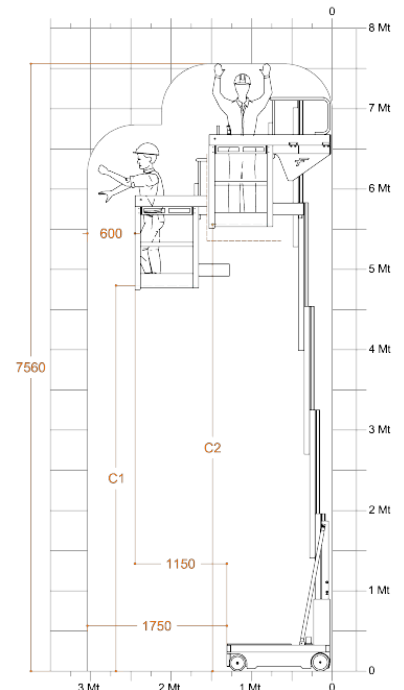
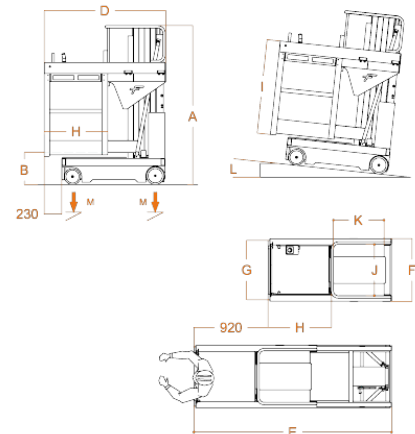
SAFETY FIRST

- Automatic cage locking.
- Anti-tilting device.
- Electronic slope monitoring.
- Electronic braking system.
- Overload monitoring
- Emergency hydraulic lowering.

EXTENSIBLE SELF PROPELLED PLATFORMS ELEVAH 80ES and 65ES MOVE

ELEVAH® 80ES MOVE

Max. working height		7,56 m
Max capacity		200 kg
Number of people		1
Use		Internal
A	Closed machine height	1990 mm
B	Minimum platform height	400 mm
C1	Maximum platform height for basket rotation	4800 mm
C2	Maximum platform height with closed basket	5560 mm
D	Base overall dimensions	1530 mm
E		2430 mm
F		780 mm
G	Cage dimensions	740 mm
H		790 mm
I		1310 mm
J	Fixed picking tray dimensions	630 mm
K		620 mm
Capacity of storage tray		20 kg
Machine weight		1050 kg
Power supply		24 V
Batteries		Lead-Acid Batteries 12V 105 Ah
Battery charger		110V – 220V 50/60HZ
Climbing ability at height		2,5%
L	Maximum climbing ability	15%
Drive wheels dimension		Ø 220 x 65 mm
Swivel wheels dimensions		Ø 200 x 50 mm
Turning radius		1540 mm
Max. speed (rising – descending)		0,2 m/s
Maximum shifting speed (on the ground - at height)		4 - 1 Km/h
Max. height of self-movement at a height with the extensible basket closed		5560 mm
M	Maximum pressure for wheel at full load*	4,4 kN
Work cycles (with fresh batteries) **		100



* Maximum pressure whereas the weight of the platform plus the maximum load on the basket are completely distributed on one side of the platform (totally asymmetric load).

** By work cycle we mean a self-propelled movement of 20 m with a full ascent to and descent from the maximum height and with adjustment of the loading platform.



Compliant with **EN280** rule.
Approved for indoor use or outdoor use in the absence of wind.