

# ELEVAH<sup>®</sup> 80ES and 65ES MOVE

These aerial platforms are compact, sturdy as well as reliable, allow to make maintenance activities at height up to 7,56 m and 6,7 m.

EXTENSIBLE SELF PROPELLED PLATFORMS ELEVAH 80ES and 65ES MOVE





80ES M

65ES M



COLUMNS AND CAGE  
ARE OF ALUMINIUM



### NEW BASKET

Renewed basket to grant more comfort, stability and safety.

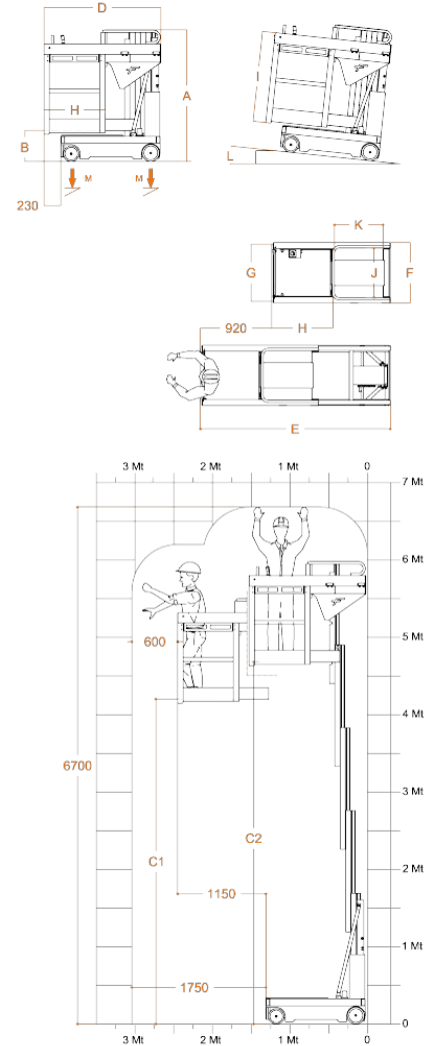


- Automatic cage locking.
- Anti-tilting device.
- Electronic slope monitoring.
- Electronic braking system.
- Overload monitoring
- Emergency hydraulic lowering.

EXTENSIBLE SELF PROPELLED PLATFORMS ELEVAH 80ES and 65ES MOVE

# ELEVAH<sup>®</sup> 65ES MOVE

Max. working height		6,7 m
Max capacity		200 kg
Number of people		1
Use		Internal
<b>A</b>	Closed machine height	1720 mm
<b>B</b>	Minimum platform height	400 mm
<b>C1</b>	Maximum platform height for basket rotation	4200 mm
<b>C2</b>	Maximum platform height with closed basket	4680 mm
<b>D</b>		1530 mm
<b>E</b>	Base overall dimensions	2430 mm
<b>F</b>		780 mm
<b>G</b>		740 mm
<b>H</b>	Cage dimensions	790 mm
<b>I</b>		1310 mm
<b>J</b>	Fixed picking tray dimensions	630 mm
<b>K</b>		620 mm
Capacity of storage tray		20 kg
Machine weight		1000 kg
Power supply		24 V
Batteries		Lead-Acid Batteries 12V 105 Ah
Battery charger		110V – 220V 50/60HZ
Climbing ability at height		2,5%
<b>L</b>	Maximum climbing ability	15%
Drive wheels dimension		Ø 220 x 65 mm
Swivel wheels dimensions		Ø 200 x 50 mm
Turning radius		1540 mm
Max. speed (rising – descending)		0,2 m/s
Maximum shifting speed (on the ground - at height)		4 Km/h - 1 Km/h
Max. height of self-movement at a height with the extensible basket closed		4680 mm
<b>M</b>	Maximum pressure for wheel at full load*	4,2 kN
Work cycles (with fresh batteries) **		100



\* Maximum pressure whereas the weight of the platform plus the maximum load on the basket are completely distributed on one side of the platform (totally asymmetric load).

\*\* By work cycle we mean a self-propelled movement of 20 m with a full ascent to and descent from the maximum height and with adjustment of the loading platform.



Compliant with **EN280** rule.  
Approved for indoor use or outdoor use in the absence of wind.