



1 Person



7-31KG



EN795



ATEX Certified

## ALUMINIUM SOCKETS

Aluminium sockets provide the lightest and most cost effective solution for socket installation. The lightweight sockets are available in 65mm diameter weighing just 7-9kg.



Top Mount



Side Mount



Bridge Mount

M16 anchors/ bolts

## STAINLESS/GALVANISED STEEL SOCKETS

Stainless steel sockets are made from passivated 316L stainless steel. Galvanised sockets are made from mild steel. Both types are available in 65mm and 95mm diameter.



Top Mount



Side Mount



Bridge Mount



Flush Mount

NEW 2018 M16 anchors/ bolts for lower cost installation

## ALUMINIUM PEDESTALS

Aluminium pedestal sockets are available in three standard sizes or can be customised. The pedestal sockets are similar to top mount sockets with additional height.



500 mm



800 mm

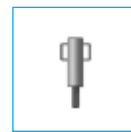


1100 mm

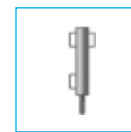
Suitable for M16 or M20 anchors

## ALUMINIUM SOCKET EXTENSIONS

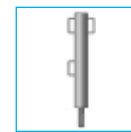
Aluminium socket extensions provide increased height of lift when using REID davits with 65mm diameter fixed sockets. Three standard sizes are available.



500 mm



800 mm



1100 mm

## PORTA-BASE™

A truly innovative extension to the REID socket family to further support the flexible use of the PORTA-DAVIT 500 range. The most convenient socket without any need for a fixed socket installation.

- **GOODS WLL** Up to 500kg at a max. 1000mm radius
- **PERSONNEL WLL** Up to 120kg
- **PORTABLE** Packed in heavy duty protective bags for easy transportation and storage
- **SPECIFICATIONS**
  - Adjustable feet for uneven surfaces with spirit level fitted to each leg
  - For use with 65mm socket diameter
  - Suitable for clean environments



Available as 90°, 180° and 270° counterbalanced version with up to 1000mm radius.

## DIMENSIONS

Socket Type	Diameter mm	Weight		
		Galvanised Steel kg	Aluminium kg	Stainless Steel kg
Bridge Mount	65	Steel kg	7	19
Side Mount	65	17	6	17
Side Mount	95	31		31
Top Mount	65	13	9	13
Top Mount	95	30		31
Flush Mount	65	5		4
Flush Mount	95	9		9

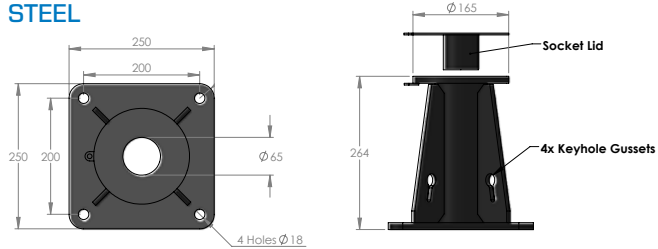
Socket Type	Height mm	Galvanised Steel kg	Aluminium kg	Stainless Steel kg
Pedestal	800		17	
Pedestal	1100		20	
Socket Extension	500		13	
Socket Extension	800		15	
Socket Extension	1100		19	



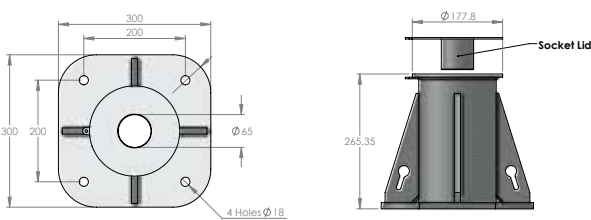
## SOCKET DRAWINGS

### TOP MOUNT

#### STEEL

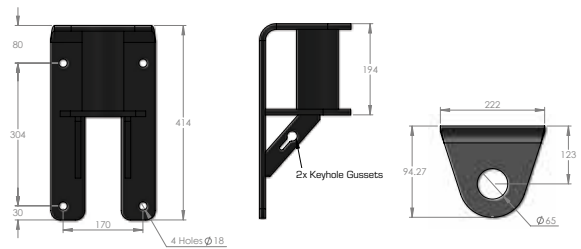


#### ALUMINIUM

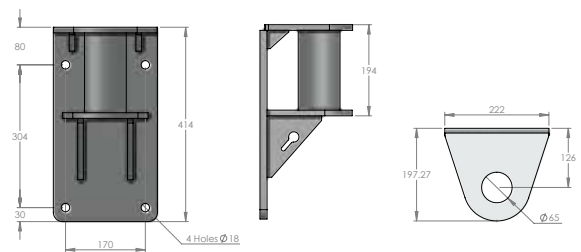


### SIDE MOUNT

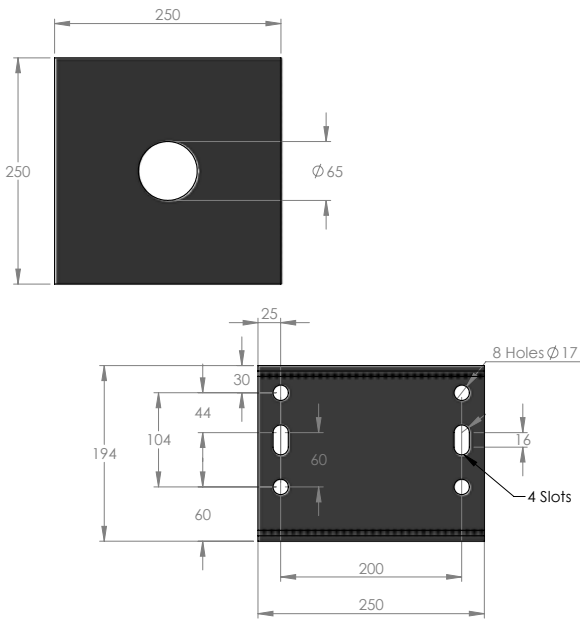
#### STEEL



#### ALUMINIUM

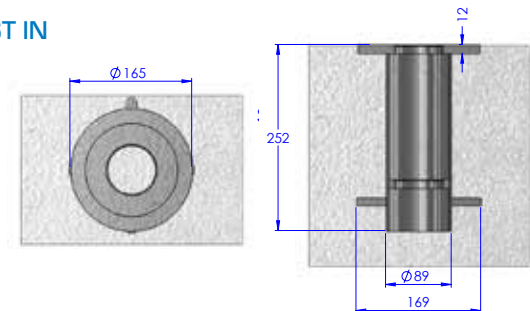


### BRIDGE MOUNT

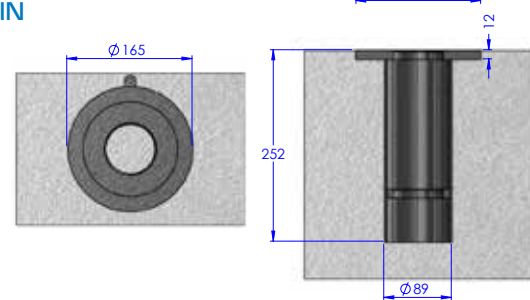


### FLUSH MOUNT

#### CAST IN



#### RESIN



Socket Extensions

The PORTA-DAVIT 500 has been designed to fit all existing and new REID Lifting sockets and socket extensions.

Sockets



Flush Mount    Bridge Mount    Side Mount

Top Mount Height of Lift: +264mm    Pedestal Height of Lift: +500mm    Pedestal Height of Lift: +800mm    Pedestal Height of Lift: +1100mm    Bespoke    SE500 Height of Lift: +500mm    SE800 Height of Lift: +800mm    SE1100 Height of Lift: +1100mm